

**DOWN UNDER  
BRIDGE  
UNITS**



# Rates and Specifications

for all our

## Under Bridge Units



[www.dubu.net.au](http://www.dubu.net.au)

**Down Under Bridge Units Pty Ltd**

P: 133 393

E: [info@dubu.net.au](mailto:info@dubu.net.au)

ABN: 13 622 334 990

P: PO Box 239 West Burleigh QLD 4219

A: 3 Rudman Parade, Burleigh Heads QLD 4220

# Rates for 2019

Unit Description	Quantity	Wet Hire Daily Rate (excl GST)
3.6m Aichi Platform Under Bridge Maintenance Unit	1	<b>\$1840.00</b> - (\$230 per hr)
7m Moog Platform Under Bridge Maintenance Units	2	<b>\$1840.00</b> - (\$230 per hr)
7m Moog Platform Under Bridge Maintenance Unit - Industrial	1	<b>\$1840.00</b> - (\$230 per hr)
9.5m Barin Platform Under Bridge Maintenance Unit - Industrial	1	<b>\$2000.00</b> - (\$250 per hr)
12m Moog Platform Under Bridge Maintenance Unit	1	<b>\$2160.00</b> - (\$270 per hr)
12m Moog Platform Under Bridge Maintenance Units - Industrial	2	<b>\$2360.00</b> - (\$295 per hr)
12m Barin Platform Under Bridge Maintenance Units - Industrial	1	<b>\$2360.00</b> - (\$295 per hr)
12m Cella Telescopic Bucket Under Bridge Inspection Units	2	<b>\$1840.00</b> - (\$230 per hr)
16m Moog Telescopic Bucket Under Bridge Inspection Unit	1	<b>\$2400.00</b> - (\$300 per hr)

- Daily Rate is 8 hours maximum. After 8 hours, applicable daily rate + overtime applies.
- Overtime rate = "Truck hourly rate" plus \$55.00 per hour (+GST) applies to hire on weekends, and between the hours of 5pm to 6.30am and any hire hours over 8 continuous hours. Public Holidays is \$75 per hour (+GST)
- Minimum call out during the day (0630-1700) or night (1700-0630) is 8 hours including travel time.
- Travel outside the local regional depot area is at 8 hours minimum.
- Toll Fees Apply.

[www.dubu.net.au](http://www.dubu.net.au)

**Down Under Bridge Units Pty Ltd**

P: 133 393

E: [info@dubu.net.au](mailto:info@dubu.net.au)

ABN: 13 622 334 990

P: PO Box 239 West Burleigh QLD 4219

A: 3 Rudman Parade, Burleigh Heads QLD 4220

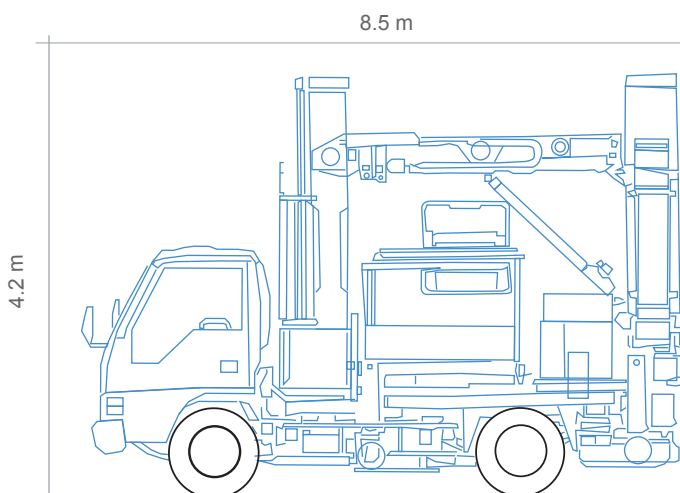
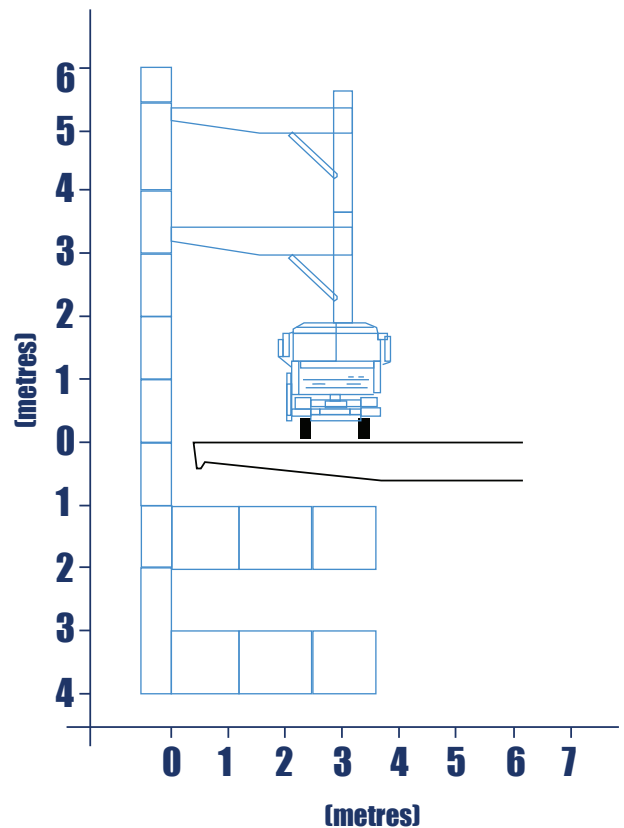
# 3.6 Metre Light Weight Platform

## Aichi

### Under Bridge Maintenance Unit **Unit Number: UBM 10**

## Specs

Under bridge working length	3.7 m
Width of platform	1 m
Safe working load	250 kg
Max load at end of telescopic platform	125 kg
Max lowering depth	4 m
Rotation of platform	180°
Space required on bridge	2.1 m
Travelling height (stowed)	4.2 m
Travelling width	2.1 m
Travelling length	8.5 m
Overall weight (approx)	10,400 kg



[www.dubu.net.au](http://www.dubu.net.au)

**Down Under Bridge Units Pty Ltd**

P: 133 393

E: [info@dubu.net.au](mailto:info@dubu.net.au)

ABN: 13 622 334 990

P: PO Box 239 West Burleigh QLD 4219

A: 3 Rudman Parade, Burleigh Heads QLD 4220

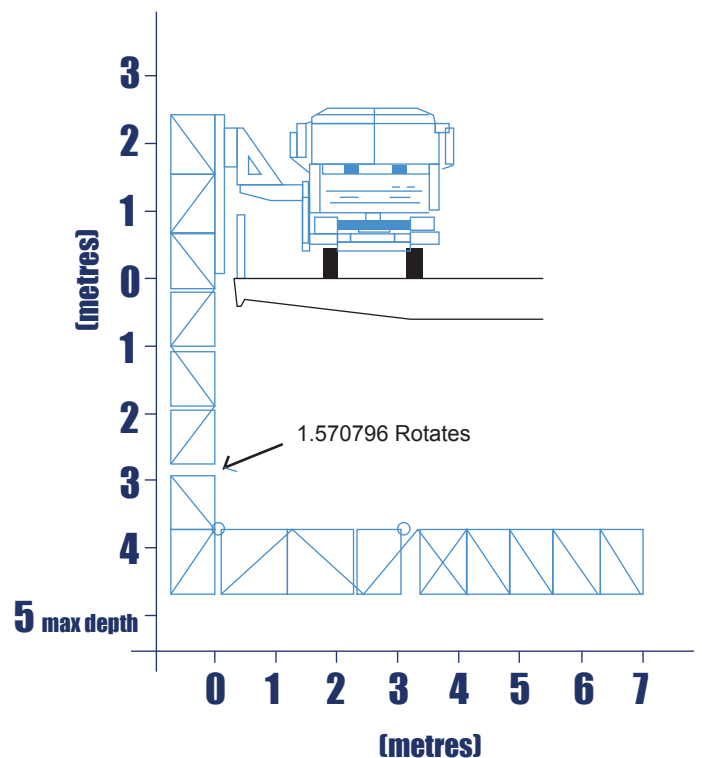
# 7 Metre Light Weight Platform

## Moog

### Under Bridge Maintenance Unit **Unit Number: UBM 4**

## Specs

Under bridge working length	7 m
Width of platform	1 m
Safe working load	400 kg
Max load at end of telescopic platform	200 kg
Max lowering depth	5 m
Rotation of platform	180 °
Space required on bridge	2.5 m
Travelling height (stowed)	3.75 m
Overall weight (approx)	6500 kg



## Additional Equipment

- Generator 6KVA (silenced)
- Compressor 100CFM

[www.dubu.net.au](http://www.dubu.net.au)

**Down Under Bridge Units Pty Ltd**

P: 133 393  
E: [info@dubu.net.au](mailto:info@dubu.net.au)

ABN: 13 622 334 990  
P: PO Box 239 West Burleigh QLD 4219  
A: 3 Rudman Parade, Burleigh Heads QLD 4220

# 7 Metre Platform

## Moog

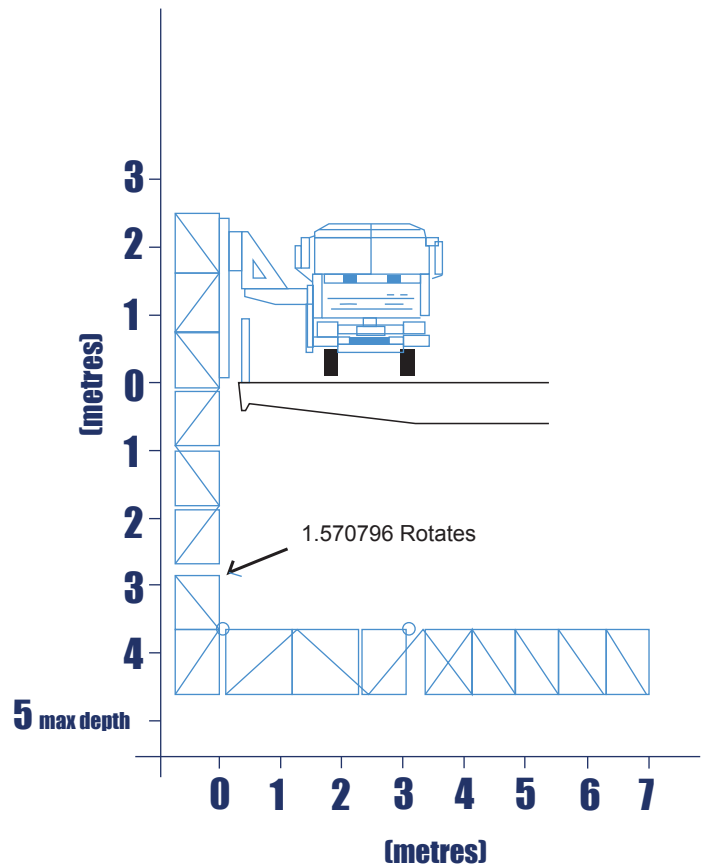
### Under Bridge Maintenance Unit Unit Number: UBM 6

#### Specs

Under bridge working length	7 m
Width of platform	1 m
Safe working load	400 kg
Max load at end of telescopic platform	200 kg
Max lowering depth	5 m
Rotation of platform	180°
Space required on bridge	2.5 m
Travelling height (stowed)	3.75 m
Overall weight (approx)	9400 kg

#### Additional Equipment

Generator 6KVA (silenced)



[www.dubu.net.au](http://www.dubu.net.au)

**Down Under Bridge Units Pty Ltd**

P: 133 393

E: [info@dubu.net.au](mailto:info@dubu.net.au)

ABN: 13 622 334 990

P: PO Box 239 West Burleigh QLD 4219

A: 3 Rudman Parade, Burleigh Heads QLD 4220

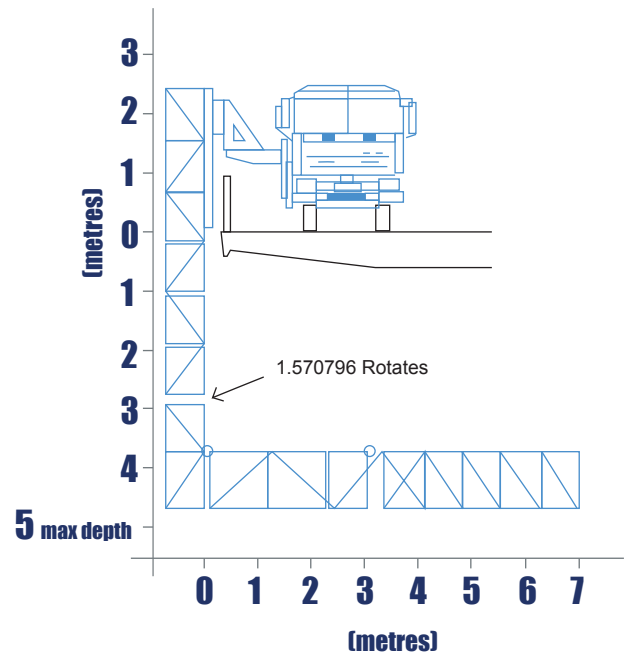
# 7 Metre Industrial Platform

## Moog

### Under Bridge Maintenance Unit **Unit Number: UBM 2**

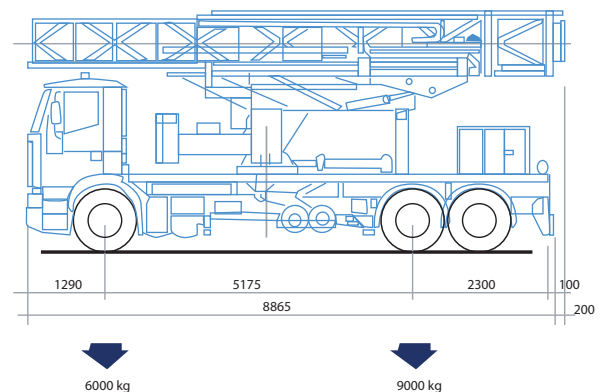
## Specs

Under bridge working length	7 m
Width of platform	1 m
Safe working load	400 kg
Max load at end of telescopic platform	200 kg
Max lowering depth	5 m
Rotation of platform	180 °
Space required on bridge	2.5 m
Travelling height (stowed)	3.75 m
Overall weight (approx)	15,000 kg



## Additional Equipment

- Generator 6KVA (silenced)
- Compressor 100CFM
- Gurney 3500psi
- Water Tank



[www.dubu.net.au](http://www.dubu.net.au)

**Down Under Bridge Units Pty Ltd**

P: 133 393

E: [info@dubu.net.au](mailto:info@dubu.net.au)

ABN: 13 622 334 990

P: PO Box 239 West Burleigh QLD 4219

A: 3 Rudman Parade, Burleigh Heads QLD 4220

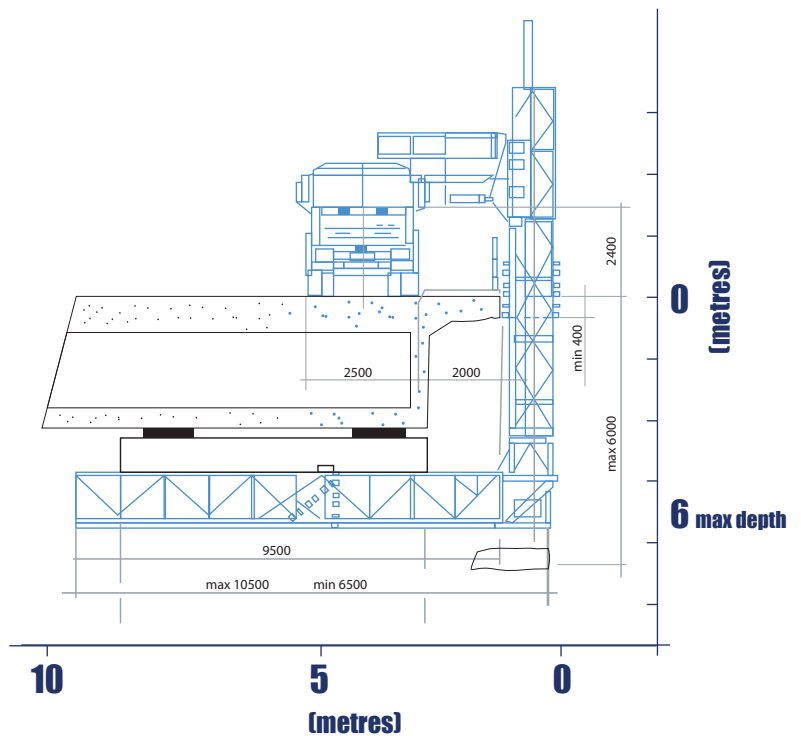
# 9.5 Metre Industrial Platform

Barin S.P.A

Under Bridge Maintenance Unit Unit Number: UBM 1

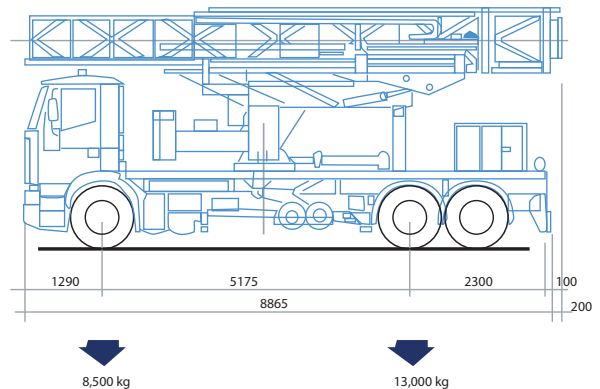
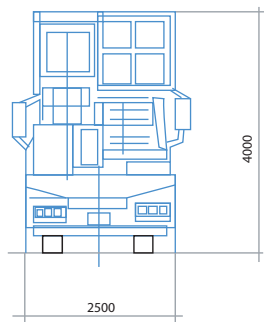
## Specs

Under bridge working length	9.5 m
Width of platform	1.2 m
Safe working load	500 kg
Max load at end of telescopic platform	250 kg
Max lowering depth	6 m
Rotation of platform	180°
Space required on bridge	2.5 m
Travelling height (stowed)	4 m
Overall weight (approx)	21,500 kg



## Additional Equipment

- Generator 6KVA (silenced)
- Compressor 100CFM
- Gurney 3500psi
- Water Tank



[www.dubu.net.au](http://www.dubu.net.au)

Down Under Bridge Units Pty Ltd

P: 133 393

E: [info@dubu.net.au](mailto:info@dubu.net.au)

ABN: 13 622 334 990

P: PO Box 239 West Burleigh QLD 4219

A: 3 Rudman Parade, Burleigh Heads QLD 4220

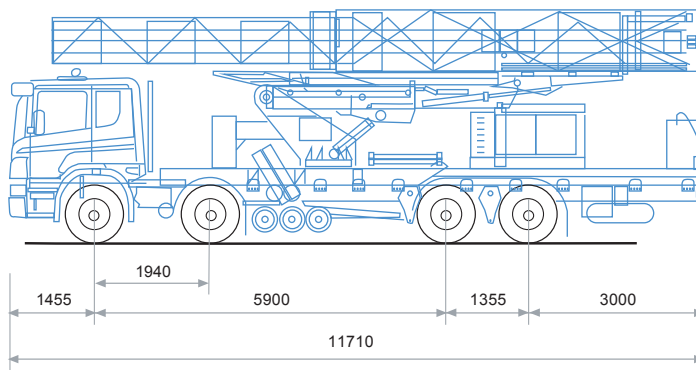
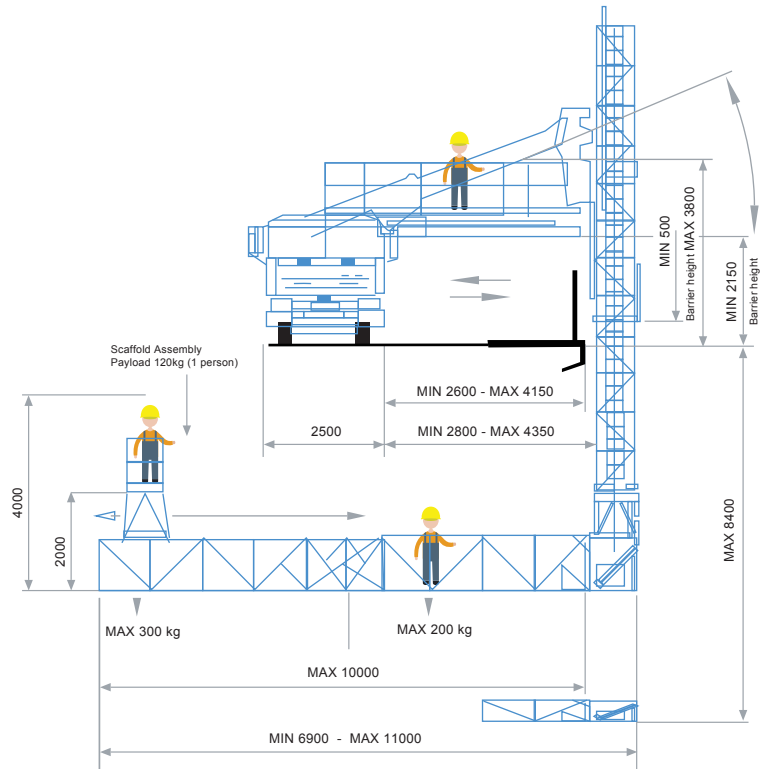
# 12 Metre Platform

## Barin

### Under Bridge Maintenance Unit **Unit Number: UBM 11**

## Specs

Under bridge working length	11 - 13 m
Width of platform	1.2 m
Safe working load	500 kg
Max load at end of telescopic platform	300 kg
Max load at scaffold assembly	120 kg
Max lowering depth	8.4 m
Rotation of platform	180°
Space required on bridge	2.5 m
Travelling height (stowed)	4 m
Travelling length	11.7 m
Overall weight (approx)	26,000 kg



[www.dubu.net.au](http://www.dubu.net.au)

**Down Under Bridge Units Pty Ltd**

P: 133 393

E: [info@dubu.net.au](mailto:info@dubu.net.au)

ABN: 13 622 334 990

P: PO Box 239 West Burleigh QLD 4219

A: 3 Rudman Parade, Burleigh Heads QLD 4220



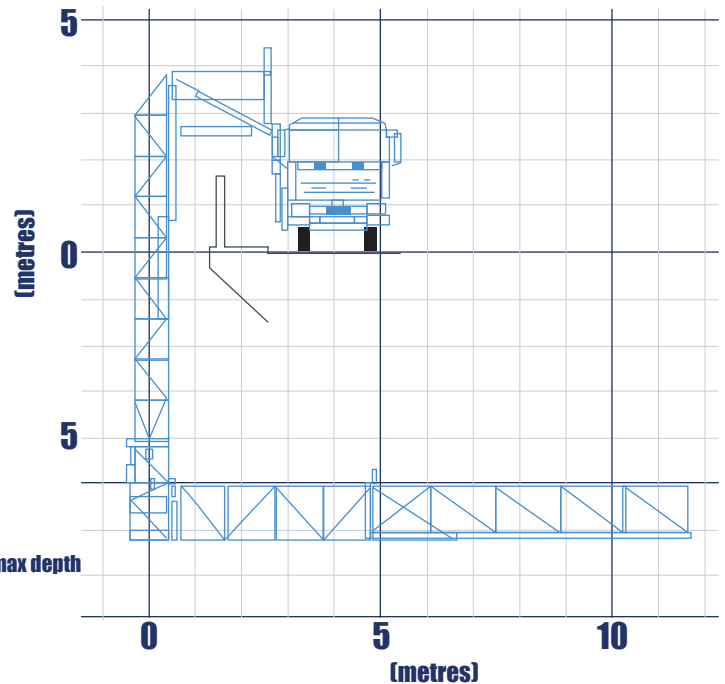
# 12 Metre Platform

## Moog

### Under Bridge Maintenance Unit **Unit Number: UBM 5**

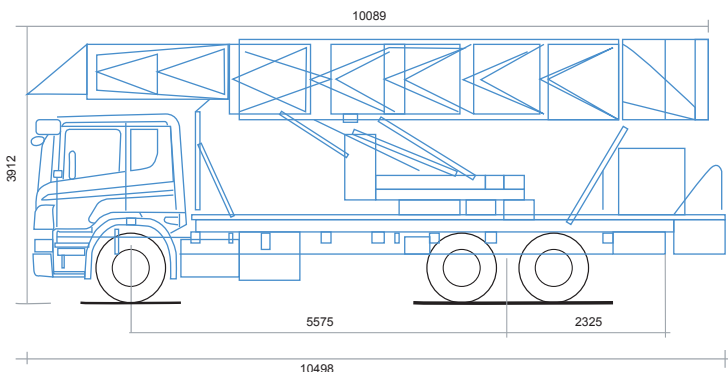
## Specs

Under bridge working length	11-13 m
Width of platform	1.2 m
Safe working load	500 kg
Max load at end of telescopic platform	250 kg
Max lowering depth	7.2 m
Rotation of platform	180 °
Space required on bridge	2.5 m
Travelling height (stowed)	4 m
Overall weight (approx)	21,500 kg



## Additional Equipment

Generator 6KVA (silenced)



[www.dubu.net.au](http://www.dubu.net.au)

**Down Under Bridge Units Pty Ltd**

P: 133 393

E: [info@dubu.net.au](mailto:info@dubu.net.au)

ABN: 13 622 334 990

P: PO Box 239 West Burleigh QLD 4219

A: 3 Rudman Parade, Burleigh Heads QLD 4220

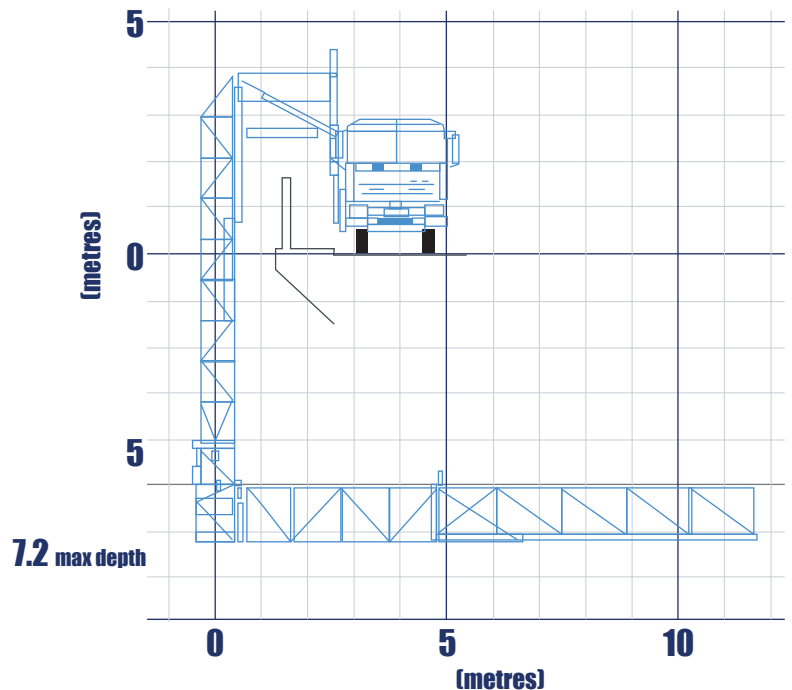
# 12 Metre Industrial Platform

## Moog

### Under Bridge Maintenance Unit Unit Number: UBM 7 & 8

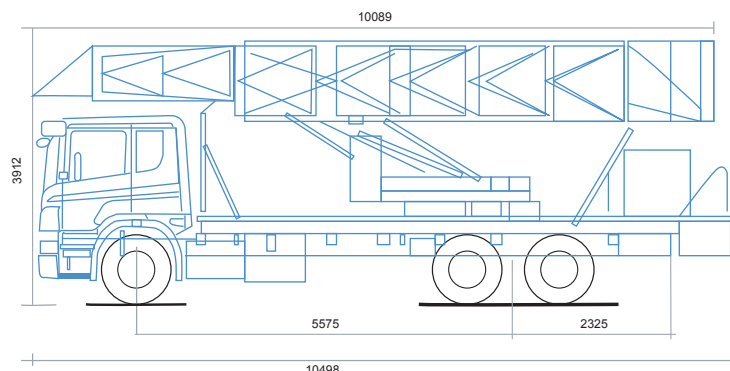
## Specs

Under bridge working length	11-13 m
Width of platform	1.2 m
Safe working load	500 kg
Max load at end of telescopic platform	250 kg
Max lowering depth	7.2 m
Rotation of platform	180°
Space required on bridge	2.5 m
Travelling height (stowed)	4 m
Overall weight (approx)	23,000 kg



## Additional Equipment

- Generator 6KVA (silenced)
- Compressor 100CFM
- Gurney 3500psi
- Water Tank



[www.dubu.net.au](http://www.dubu.net.au)

**Down Under Bridge Units Pty Ltd**

P: 133 393

E: [info@dubu.net.au](mailto:info@dubu.net.au)

ABN: 13 622 334 990

P: PO Box 239 West Burleigh QLD 4219

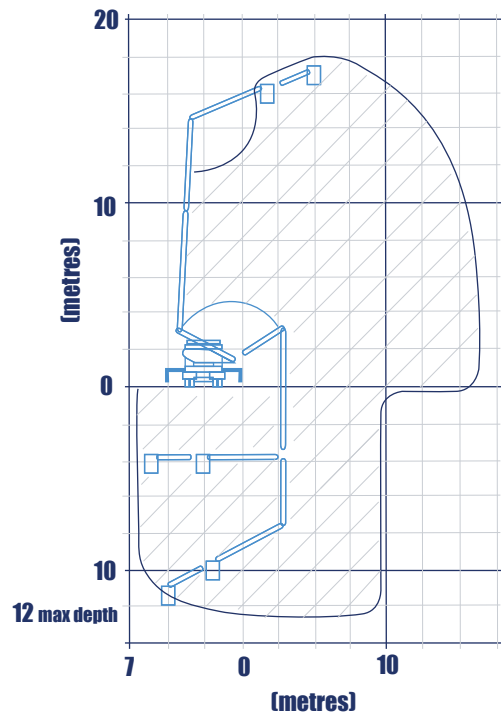
A: 3 Rudman Parade, Burleigh Heads QLD 4220

# 12 Metre Telescopic Bucket Cella LF 180/SJR Under Bridge Inspection Unit

Unit Number: UBI 1 & 2

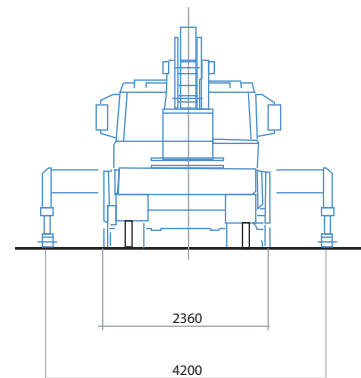
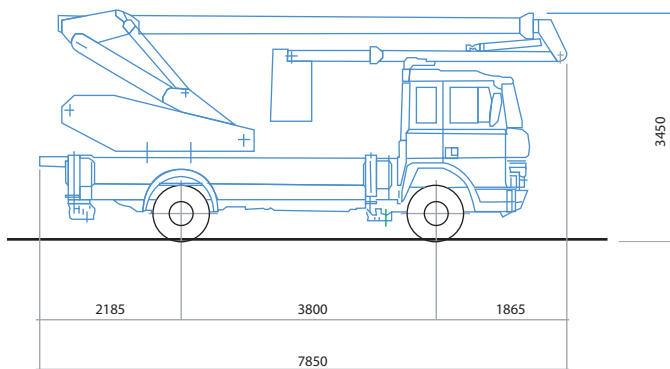
## Specs

Under bridge working length	7 m
Width of platform	2 man basket
Safe working load	180 kg
Max load at end of telescopic platform	180 kg
Max lowering depth	12 m
Rotation of platform	360°
Space required on bridge	3.5 m
Travelling height (stowed)	3.45 m
Overall weight (approx)	12,500 kg



## Additional Equipment

Generator 6KVA



[www.dubu.net.au](http://www.dubu.net.au)

**Down Under Bridge Units Pty Ltd**

P: 133 393

E: [info@dubu.net.au](mailto:info@dubu.net.au)

ABN: 13 622 334 990

P: PO Box 239 West Burleigh QLD 4219

A: 3 Rudman Parade, Burleigh Heads QLD 4220

